

超高压専用ノズル 垂直タイプ (S)

The Ultra High Pressure nozzle is designed to operate at pressures as high as 100 kgf/cm².

ステンレス鋼や航空・宇宙関係の部品で使われる

チタン合金、耐熱超合金等の難削材の加工機に最適 最大使用圧力 100 kgf/cm²

GLO-JETON 超高压専用ノズル 垂直タイプ (S) 仕様表

Specification Of Direct-Injection Ultra High Pressure Adjustable Nozzle

品番 Item No.	寸法 Specifications	主要サイズ Major Size					単位 unit (mm)		
		D	ネジ部 THREAD(S)	L	L1	D1	B1	HEXAGRAM(B)	
JTSP-1/8-20-4-H	1/8"PT-Φ4*20L	4	PT 1/8"	20	10	6	6	17	
JTSP-1/8-20-2-H	1/8"PT-Φ2*20L	2	PT 1/8"	20	10	6	6	17	
JTSP-1/8-20-1-H	1/8"PT-Φ1*20L	1	PT 1/8"	20	10	6	6	17	
JTSP-1/8-40-4-H	1/8"PT-Φ4*40L	4	PT 1/8"	40	10	6	6	17	
JTSP-1/8-40-2-H	1/8"PT-Φ2*40L	2	PT 1/8"	40	10	6	6	17	
JTSP-1/8-40-1-H	1/8"PT-Φ1*40L	1	PT 1/8"	40	10	6	6	17	
JTSP-1/8-60-4-H	1/8"PT-Φ4*60L	4	PT 1/8"	60	10	6	6	17	
JTSP-1/8-60-2-H	1/8"PT-Φ2*60L	2	PT 1/8"	60	10	6	6	17	
JTSP-1/8-60-1-H	1/8"PT-Φ1*60L	1	PT 1/8"	60	10	6	6	17	
JTSP-1/4-20-4-H	1/4"PT-Φ4*20L	4	PT 1/4"	20	10	6	6	17	
JTSP-1/4-20-2-H	1/4"PT-Φ2*20L	2	PT 1/4"	20	10	6	6	17	
JTSP-1/4-20-1-H	1/4"PT-Φ1*20L	1	PT 1/4"	20	10	6	6	17	
JTSP-1/4-40-4-H	1/4"PT-Φ4*40L	4	PT 1/4"	40	10	6	6	17	
JTSP-1/4-40-2-H	1/4"PT-Φ2*40L	2	PT 1/4"	40	10	6	6	17	
JTSP-1/4-40-1-H	1/4"PT-Φ1*40L	1	PT 1/4"	40	10	6	6	17	
JTSP-1/4-60-4-H	1/4"PT-Φ4*60L	4	PT 1/4"	60	10	6	6	17	
JTSP-1/4-60-2-H	1/4"PT-Φ2*60L	2	PT 1/4"	60	10	6	6	17	
JTSP-1/4-60-1-H	1/4"PT-Φ1*60L	1	PT 1/4"	60	10	6	6	17	

GLO-JETON 超高压専用ノズル 垂直タイプ (S) 仕様表

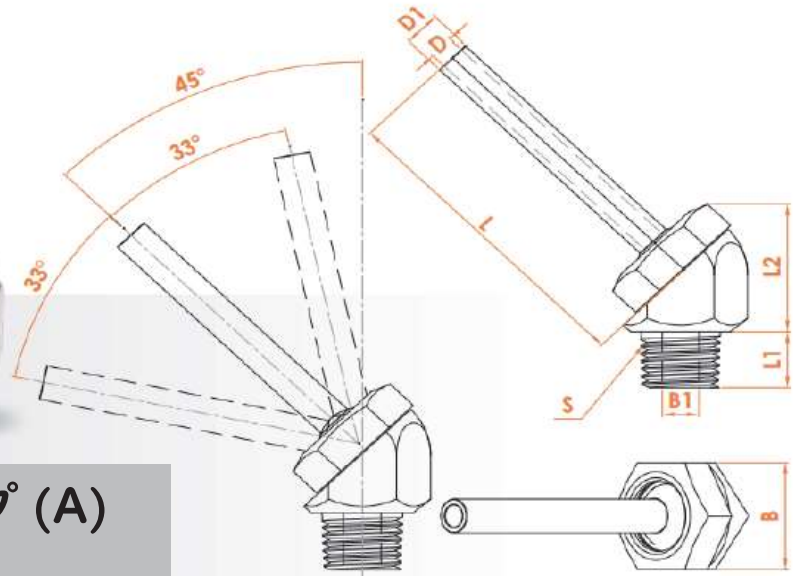
Specification Of Direct-Injection Ultra High Pressure Adjustable Nozzle

品番 Item No.	寸法 Specifications	主要サイズ Major Size				単位 unit (mm)		
		D	ネジ部 THREAD(S)	L	L1	D1	B1	HEXAGRAM(B)
JTSN-1/8-20-4-H	1/8"NPT-Φ4*20L	4	NPT 1/8"	20	10	6	6	17
JTSN-1/8-20-2-H	1/8"NPT-Φ2*20L	2	NPT 1/8"	20	10	6	6	17
JTSN-1/8-20-1-H	1/8"NPT-Φ1*20L	1	NPT 1/8"	20	10	6	6	17
JTSN-1/8-40-4-H	1/8"NPT-Φ4*40L	4	NPT 1/8"	40	10	6	6	17
JTSN-1/8-40-2-H	1/8"NPT-Φ2*40L	2	NPT 1/8"	40	10	6	6	17
JTSN-1/8-40-1-H	1/8"NPT-Φ1*40L	1	NPT 1/8"	40	10	6	6	17
JTSN-1/8-60-4-H	1/8"NPT-Φ4*60L	4	NPT 1/8"	60	10	6	6	17
JTSN-1/8-60-2-H	1/8"NPT-Φ2*60L	2	NPT 1/8"	60	10	6	6	17
JTSN-1/8-60-1-H	1/8"NPT-Φ1*60L	1	NPT 1/8"	60	10	6	6	17
JTSN-1/4-20-4-H	1/4"NPT-Φ4*20L	4	NPT 1/4"	20	10	6	6	17
JTSN-1/4-20-2-H	1/4"NPT-Φ2*20L	2	NPT 1/4"	20	10	6	6	17
JTSN-1/4-20-1-H	1/4"NPT-Φ1*20L	1	NPT 1/4"	20	10	6	6	17
JTSN-1/4-40-4-H	1/4"NPT-Φ4*40L	4	NPT 1/4"	40	10	6	6	17
JTSN-1/4-40-2-H	1/4"NPT-Φ2*40L	2	NPT 1/4"	40	10	6	6	17
JTSN-1/4-40-1-H	1/4"NPT-Φ1*40L	1	NPT 1/4"	40	10	6	6	17
JTSN-1/4-60-4-H	1/4"NPT-Φ4*60L	4	NPT 1/4"	60	10	6	6	17
JTSN-1/4-60-2-H	1/4"NPT-Φ2*60L	2	NPT 1/4"	60	10	6	6	17
JTSN-1/4-60-1-H	1/4"NPT-Φ1*60L	1	NPT 1/4"	60	10	6	6	17

GLO-JETON 超高压専用ノズル 垂直タイプ (S) 仕様表

Specification Of Direct-Injection Ultra High Pressure Adjustable Nozzle

品番 Item No.	寸法 Specifications	主要サイズ Major Size				単位 unit (mm)		
		D	ネジ部 THREAD(S)	L	L1	D1	B1	HEXAGRAM(B)
JTSM-10-15-4-H	M10*1.25P*Φ4*15L	4	M10*1.25P	15	10	6	6	17
JTSM-10-15-2-H	M10*1.25P*Φ2*15L	2	M10*1.25P	15	10	6	6	17
JTSM-10-15-1-H	M10*1.25P*Φ1*15L	1	M10*1.25P	15	10	6	6	17
JTSM-10-20-4-H	M10*1.25P*Φ4*20L	4	M10*1.25P	20	10	6	6	17
JTSM-10-20-2-H	M10*1.25P*Φ2*20L	2	M10*1.25P	20	10	6	6	17
JTSM-10-20-1-H	M10*1.25P*Φ1*20L	1	M10*1.25P	20	10	6	6	17
JTSM-10-40-4-H	M10*1.25P*Φ4*40L	4	M10*1.25P	40	10	6	6	17
JTSM-10-40-2-H	M10*1.25P*Φ2*40L	2	M10*1.25P	40	10	6	6	17
JTSM-10-40-1-H	M10*1.25P*Φ1*40L	1	M10*1.25P	40	10	6	6	17
JTSM-10-60-4-H	M10*1.25P*Φ4*60L	4	M10*1.25P	60	10	6	6	17
JTSM-10-60-2-H	M10*1.25P*Φ2*60L	2	M10*1.25P	60	10	6	6	17
JTSM-10-60-1-H	M10*1.25P*Φ1*60L	1	M10*1.25P	60	10	6	6	17



超高圧専用ノズル 傾斜タイプ (A)

The Ultra High Pressure nozzle is designed to operate at pressures as high as 100 kgf/cm².

ステンレス鋼や航空・宇宙関係の部品で使われる

チタン合金、耐熱超合金等の難削材の加工機に最適 最大使用圧力 100 kgf/cm²

GLO-JETON 超高圧専用ノズル 傾斜タイプ (A) 仕様表

Specification Of Direct-Injection Ultra High Pressure Adjustable Nozzle

品番 Item No.	寸法 Specifications	主要サイズ Major Size					単位 unit (mm)		
		D	ネジ部 THREAD(S)	L	L1	L2	D1	B1	HEXAGRAM(B)
JTAP-1/8-10-4-H19	1/8"PT-Φ4*10L	4	PT 1/8"	10	10	23	6	6	19
JTAP-1/8-10-2-H19	1/8"PT-Φ2*10L	2	PT 1/8"	10	10	23	6	6	19
JTAP-1/8-10-1-H19	1/8"PT-Φ1*10L	1	PT 1/8"	10	10	23	6	6	19
JTAP-1/8-30-4-H19	1/8"PT-Φ4*30L	4	PT 1/8"	30	10	23	6	6	19
JTAP-1/8-30-2-H19	1/8"PT-Φ2*30L	2	PT 1/8"	30	10	23	6	6	19
JTAP-1/8-30-1-H19	1/8"PT-Φ1*30L	1	PT 1/8"	30	10	23	6	6	19
JTAP-1/8-50-4-H19	1/8"PT-Φ4*50L	4	PT 1/8"	50	10	23	6	6	19
JTAP-1/8-50-2-H19	1/8"PT-Φ2*50L	2	PT 1/8"	50	10	23	6	6	19
JTAP-1/8-50-1-H19	1/8"PT-Φ1*50L	1	PT 1/8"	50	10	23	6	6	19
JTAP-1/4-10-4-H19	1/4"PT-Φ4*10L	4	PT 1/4"	10	10	23	6	6	19
JTAP-1/4-10-2-H19	1/4"PT-Φ2*10L	2	PT 1/4"	10	10	23	6	6	19
JTAP-1/4-10-1-H19	1/4"PT-Φ1*10L	1	PT 1/4"	10	10	23	6	6	19
JTAP-1/4-30-4-H19	1/4"PT-Φ4*30L	4	PT 1/4"	30	10	23	6	6	19
JTAP-1/4-30-2-H19	1/4"PT-Φ2*30L	2	PT 1/4"	30	10	23	6	6	19
JTAP-1/4-30-1-H19	1/4"PT-Φ1*30L	1	PT 1/4"	30	10	23	6	6	19
JTAP-1/4-50-4-H19	1/4"PT-Φ4*50L	4	PT 1/4"	50	10	23	6	6	19
JTAP-1/4-50-2-H19	1/4"PT-Φ2*50L	2	PT 1/4"	50	10	23	6	6	19
JTAP-1/4-50-1-H19	1/4"PT-Φ1*50L	1	PT 1/4"	50	10	23	6	6	19

GLO-JETON 超高压専用ノズル 傾斜タイプ (A) 仕様表

Specification Of Direct-Injection Ultra High Pressure Adjustable Nozzle

品番 Item No.	寸法 Specifications	主要サイズ Major Size						単位 unit (mm)	
		D	ネジ部 THREAD(S)	L	L1	L2	D1	B1	HEXAGRAM(B)
JTAN-1/8-10-4-H19	1/8"NPT-Φ4*10L	4	NPT 1/8"	10	10	23	6	6	19
JTAN-1/8-10-2-H19	1/8"NPT-Φ2*10L	2	NPT 1/8"	10	10	23	6	6	19
JTAN-1/8-10-1-H19	1/8"NPT-Φ1*10L	1	NPT 1/8"	10	10	23	6	6	19
JTAN-1/8-30-4-H19	1/8"NPT-Φ4*30L	4	NPT 1/8"	30	10	23	6	6	19
JTAN-1/8-30-2-H19	1/8"NPT-Φ2*30L	2	NPT 1/8"	30	10	23	6	6	19
JTAN-1/8-30-1-H19	1/8"NPT-Φ1*30L	1	NPT 1/8"	30	10	23	6	6	19
JTAN-1/8-50-4-H19	1/8"NPT-Φ4*50L	4	NPT 1/8"	50	10	23	6	6	19
JTAN-1/8-50-2-H19	1/8"NPT-Φ2*50L	2	NPT 1/8"	50	10	23	6	6	19
JTAN-1/8-50-1-H19	1/8"NPT-Φ1*50L	1	NPT 1/8"	50	10	23	6	6	19
JTAN-1/4-10-4-H19	1/4"NPT-Φ4*10L	4	NPT 1/4"	10	10	23	6	6	19
JTAN-1/4-10-2-H19	1/4"NPT-Φ2*10L	2	NPT 1/4"	10	10	23	6	6	19
JTAN-1/4-10-1-H19	1/4"NPT-Φ1*10L	1	NPT 1/4"	10	10	23	6	6	19
JTAN-1/4-30-4-H19	1/4"NPT-Φ4*30L	4	NPT 1/4"	30	10	23	6	6	19
JTAN-1/4-30-2-H19	1/4"NPT-Φ2*30L	2	NPT 1/4"	30	10	23	6	6	19
JTAN-1/4-30-1-H19	1/4"NPT-Φ1*30L	1	NPT 1/4"	30	10	23	6	6	19
JTAN-1/4-50-4-H19	1/4"NPT-Φ4*50L	4	NPT 1/4"	50	10	23	6	6	19
JTAN-1/4-50-2-H19	1/4"NPT-Φ2*50L	2	NPT 1/4"	50	10	23	6	6	19
JTAN-1/4-50-1-H19	1/4"NPT-Φ1*50L	1	NPT 1/4"	50	10	23	6	6	19

GLO-JETON 超高压専用ノズル 傾斜タイプ (A) 仕様表

Specification Of Direct-Injection Ultra High Pressure Adjustable Nozzle

品番 Item No.	寸法 Specifications	主要サイズ Major Size						単位 unit (mm)	
		D	ネジ部 THREAD(S)	L	L1	L2	D1	B1	HEXAGRAM(B)
JTAM-10-10-4-H19	M10*1.25P-Φ4*10L	4	M10*1.25P	10	10	23	6	6	19
JTAM-10-10-2-H19	M10*1.25P-Φ2*10L	2	M10*1.25P	10	10	23	6	6	19
JTAM-10-10-1-H19	M10*1.25P-Φ1*10L	1	M10*1.25P	10	10	23	6	6	19
JTAM-10-30-4-H19	M10*1.25P-Φ4*30L	4	M10*1.25P	30	10	23	6	6	19
JTAM-10-30-2-H19	M10*1.25P-Φ2*30L	2	M10*1.25P	30	10	23	6	6	19
JTAM-10-30-1-H19	M10*1.25P-Φ1*30L	1	M10*1.25P	30	10	23	6	6	19
JTAM-10-50-4-H19	M10*1.25P-Φ4*50L	4	M10*1.25P	50	10	23	6	6	19
JTAM-10-50-2-H19	M10*1.25P-Φ2*50L	2	M10*1.25P	50	10	23	6	6	19
JTAM-10-50-1-H19	M10*1.25P-Φ1*50L	1	M10*1.25P	50	10	23	6	6	19